

# new@forster

## Ergänzende Rahmenverbreiterungsprofile EI30 Profilés larges supplémentaires EI30 Additional wider profiles EI30



### Forster fuego light

- Ideal für Verglasungen EI30
- Breite: 80 mm und 105 mm
- Fertige Profile, keine aufwändigen Einzelanfertigungen mehr
- Zink-Magnesium Oberfläche

### Forster fuego light

- Idéal pour cloisons EI30
- Largeur 80 mm et 105 mm
- Profilés finis, plus aucune fabrication à la pièce coûteuse
- Surface zinc-magnésium

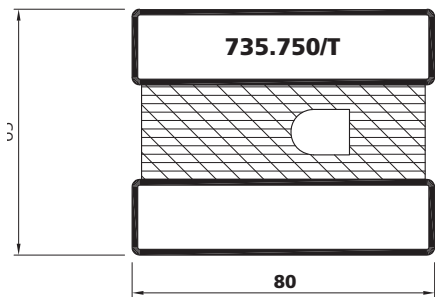
### Forster fuego light

- Ideal for glazings EI30
- Width 80 mm and 105 mm
- Ready-made profiles, no more costly single-unit constructions necessary
- Surface zinc/magnesium

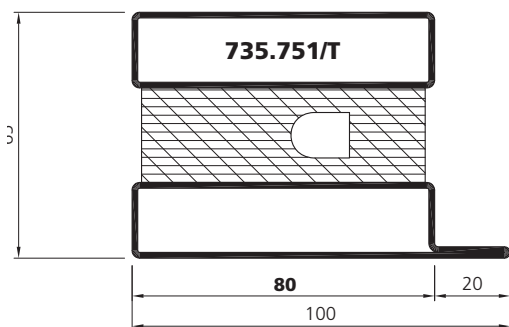
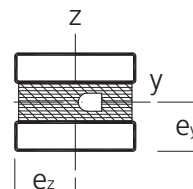
Breite Profile 80 mm

Profils larges 80 mm

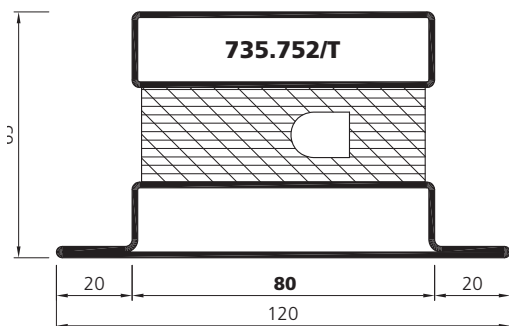
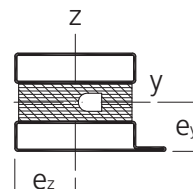
Wider profiles 80 mm



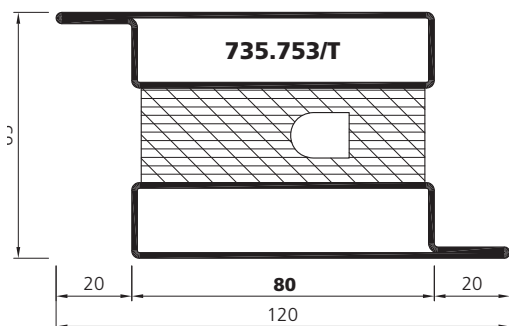
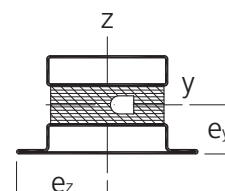
Nr.	<b>735.750/T</b>	
<b>m</b>	ZM	
<b>L</b>	6000	[mm]
<b>G</b>	6.135	[kg/m']
<b>O</b>	0.293	[m <sup>2</sup> /m']
<b>e<sub>y</sub></b>	3.25	[cm]
<b>e<sub>z</sub></b>	4.00	[cm]



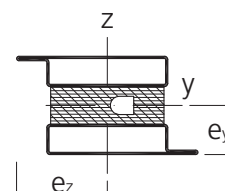
Nr.	<b>735.751/T</b>	
<b>m</b>	ZM	
<b>L</b>	6000	[mm]
<b>G</b>	6.693	[kg/m']
<b>O</b>	0.332	[m <sup>2</sup> /m']
<b>e<sub>y</sub></b>	3.22	[cm]
<b>e<sub>z</sub></b>	4.05	[cm]



Nr.	<b>735.752/T</b>	
<b>m</b>	ZM	
<b>L</b>	6000	[mm]
<b>G</b>	7.152	[kg/m']
<b>O</b>	0.371	[m <sup>2</sup> /m']
<b>e<sub>y</sub></b>	3.18	[cm]
<b>e<sub>z</sub></b>	6.00	[cm]



Nr.	<b>735.753/T</b>	
<b>m</b>	ZM	
<b>L</b>	6000	[mm]
<b>G</b>	7.251	[kg/m']
<b>O</b>	0.371	[m <sup>2</sup> /m']
<b>e<sub>y</sub></b>	3.25	[cm]
<b>e<sub>z</sub></b>	6.00	[cm]



- Oberfläche Zink-Magnesium (ZM)
- Länderspezifische Zulassungen beachten

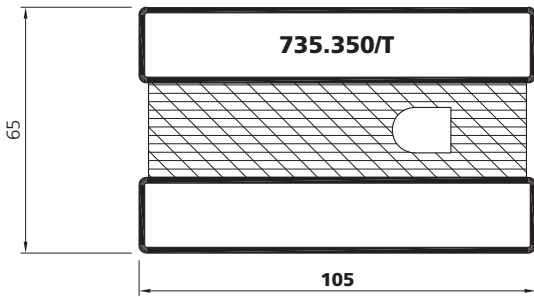
- Surface zinc-magnésium
- Tenir compte des homologations nationales

- Surface zinc/magnesium
- Refer to country-specific approvals

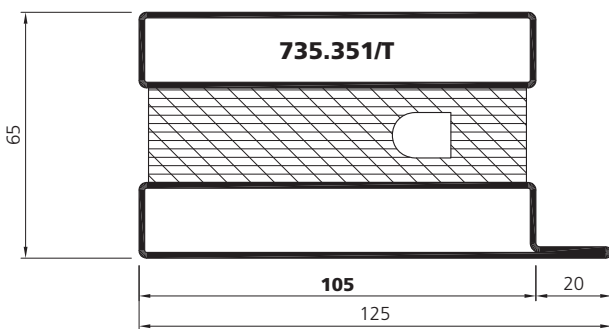
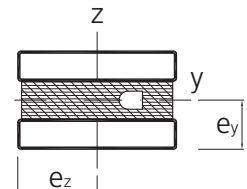
Breite Profile 105 mm

Profils larges 105 mm

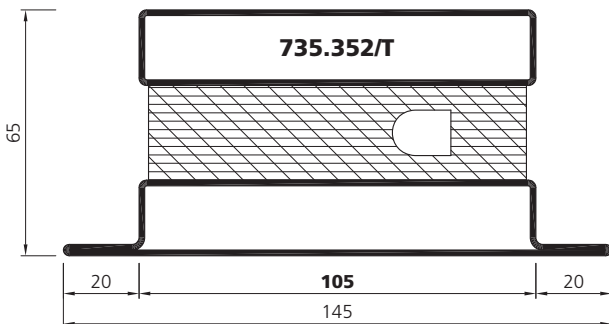
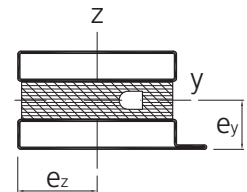
Wider profiles 105 mm



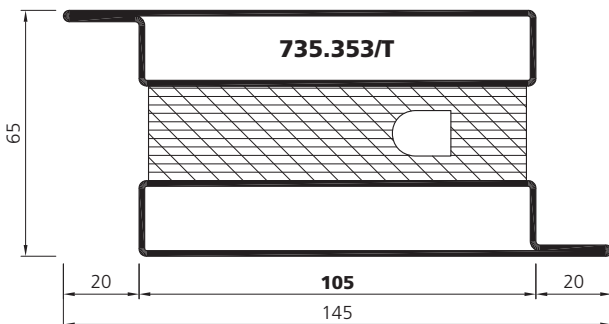
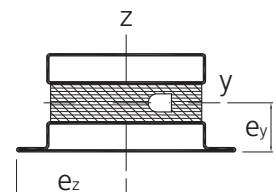
Nr.	<b>735.350/T</b>	
<b>m</b>	ZM	
<b>L</b>	6000	[mm]
<b>G</b>	7.813	[kg/m']
<b>O</b>	0.343	[m²/m']
<b>e<sub>y</sub></b>	3.25	[cm]
<b>e<sub>z</sub></b>	5.25	[cm]



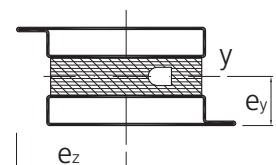
Nr.	<b>735.351/T</b>	
<b>m</b>	ZM	
<b>L</b>	6000	[mm]
<b>G</b>	8.235	[kg/m']
<b>O</b>	0.382	[m²/m']
<b>e<sub>y</sub></b>	3.22	[cm]
<b>e<sub>z</sub></b>	5.30	[cm]



Nr.	<b>735.352/T</b>	
<b>m</b>	ZM	
<b>L</b>	6000	[mm]
<b>G</b>	8.694	[kg/m']
<b>O</b>	0.421	[m²/m']
<b>e<sub>y</sub></b>	3.20	[cm]
<b>e<sub>z</sub></b>	7.25	[cm]



Nr.	<b>735.353/T</b>	
<b>m</b>	ZM	
<b>L</b>	6000	[mm]
<b>G</b>	8.657	[kg/m']
<b>O</b>	0.421	[m²/m']
<b>e<sub>y</sub></b>	3.25	[cm]
<b>e<sub>z</sub></b>	7.25	[cm]



- Oberfläche Zink-Magnesium (ZM)
- Länderspezifische Zulassungen beachten

- Surface zinc-magnésium (ZM)
- Tenir compte des homologations nationales

- Surface zinc/magnesium (ZM)
- Refer to country-specific approvals